

6-7-2021

Optimisation of Track-Pole Geometry for E-Core Homopolar Linear Synchronous Motor.

Saad El-Drieny

Assistant Professor., Electrical Engineering Department., Faculty of Engineering., El-Mansoura University., El-Mansoura., Egypt.

Follow this and additional works at: <https://mej.researchcommons.org/home>

Recommended Citation

El-Drieny, Saad (2021) "Optimisation of Track-Pole Geometry for E-Core Homopolar Linear Synchronous Motor.," *Mansoura Engineering Journal*: Vol. 12 : Iss. 2 , Article 13.

Available at: <https://doi.org/10.21608/bfemu.2021.175874>

This Original Study is brought to you for free and open access by Mansoura Engineering Journal. It has been accepted for inclusion in Mansoura Engineering Journal by an authorized editor of Mansoura Engineering Journal. For more information, please contact mej@mans.edu.eg.

OPTIMISATION OF TRACK-POLE GEOMETRY FOR E-CORE
HOMOPOLAR LINEAR SYNCHRONOUS MOTOR

SAAD EL-DRIENY

Department of Electrical Engineering, Faculty of
Engineering, EL-Mansoura University, EL-Mansoura
EGYPT

(Received Dec 24, 1987, accepted Dec. 1987)

ملخص المحكي

حلرا أن شكل الأقطاب المغناطيسية بالمحرك المتزامنى الحظى يؤثر على قيمه الممانعة المغناطيسية فى الشفرة الهوائية والتي بدورها تؤثر على خواص وأداء المحرك، لذا فإن دراسة الأشكال الهندسية لتلك الأقطاب يجب أن يأخذ اهتماما خاصا عند تصميم مثل هذا النوع من المحركات. يقترح البحث طريقة مسطحة مستخدما ال (Finite difference method) لحساب توزيع المجال المغناطيسى نتيجة الامبير لغات الناشئة عن لغات التغذية فى ثلاث ابعاد لدراسة اشكال الأقطاب المغناطيسية وأختيار أفضلها، وهو الشكل الذى يدفع أكبر كمية مجال مغناطيسى حول ملفات التيار المتردد مع أقل تسرب له. ولقد أخذ متوسط نتائج حلول المجال المغناطيسى النظرى معندا على فرض حاجة مغناطيسية مقدارها المقرر ومالاتهاية عند حدود النموذج المستخدم.

ولقد تم تطبيق هذه الطريقة على المحرك المذكور مع أحد أحد الأشكال النائية للقطب والتي تم اقتراحها: الشكل المستطيل، الشكل حرف T، الشكل حرف I كل على حدة. وقد تم فى هذه الطريقة إهمال التسرع المغناطيسى فى القلب الحديدى الذى يحمل كل من ملفات التيار المستمر والمتردد والاكتفاء بالامبير لغات الناشئة عن ملفات التغذية فى دفع المجال المغناطيسى اللازم. وقد أوضحت التحسار العملية على نموذج إلكترونى للمحرك المذكور سلامة تطبيق الطريقة المقترحة فى تحديد أفضل شكل هندسى للأقطاب كما أوضحت النتائج الحاسوبية والعملية أن الشكل الأخير (حرف I) هو أفضل الأشكال.

ABSTRACT - As the performance of an E-Core homopolar linear synchronous motor (HLSM) is affected by the air-gap reluctance, it can be enhanced by shaping its pole adroitly. Therefore, the primary design choice relates to the pole geometry, which can be simply studied by ignoring saturation and considering only the field excitation.

This paper presents the theoretical optimisation of three different track-pole shapes. This optimisation is based on a magnetic field study using the 3-dimensional finite-difference method (FDM) of scalar magnetic potential as well as the average of zero and infinite permeability boundaries. The shape which maximises the armature flux per pole will be thought of as the optimum shape. So, the flux per pole in the middle limb of the E-core is taken as a "goodness factor" for pole shape. It is found that the I-shape was the optimum track-pole shape. The results of the experimental investigations which are carried out on a static model of this motor confirm the computed results.

1- INTRODUCTION

The E-core HLSM has passive track-pole, and both of the D.C. and A.C. windings are carried on the middle limb of the armature core, as shown in the schematic diagram of figure (1). According to this construction the feasibility of change of the pole shape will be carried out simply. The dimensions of a given pole-shape must meet the conflicting

requirements of :

- (i) high permeance, at a given air-gap, to provide substantial armature flux per unit field excitation.
- (ii) minimum leakage flux to reduce the amount of iron in the field core.

To resolve these conflicts the 3-dimensional finite-difference method is applied, for given dimensions of the E-core, using scalar magnetic potentials as the main field parameter [1,2,3,4,5]. Difficulties with boundary conditions have been overcome by averaging the solutions obtained for both infinite and zero permeability boundaries.

The following pole shapes have been examined the theoretically:-

- (i) A variety of rectangular-shape
- (ii) TEE-shape (i.e one-shoe pole).
- (iii) I-shape (i.e double-shoe pole)

The shape which maximises the armature flux per pole will be thought of as the optimum shape. So, the flux per pole in the middle limb of the E-core is taken as a "goodness factor" for pole shape.

Practical measurements of armature flux using a simple magnetic model have confirmed the theoretical investigation of optimum track-pole shape.

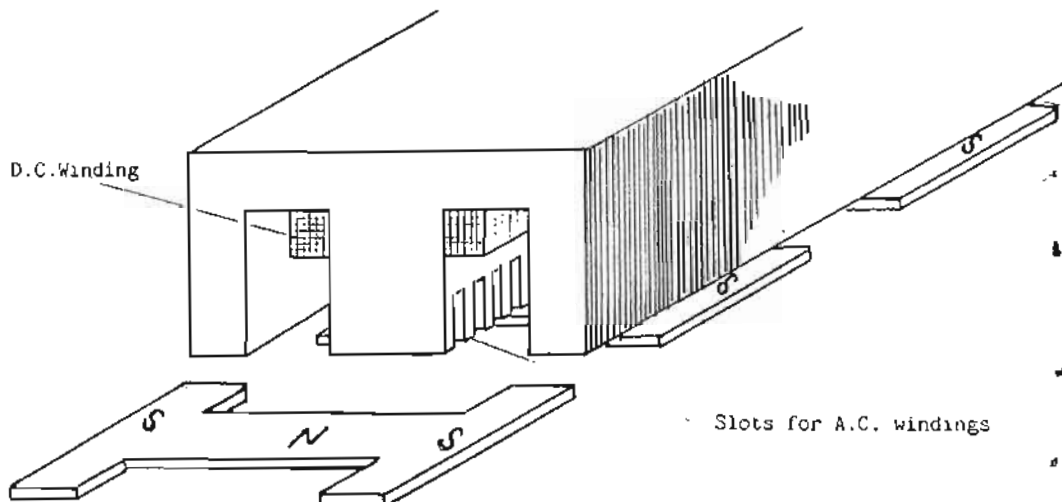


Figure 1 : E-core homopolar linear synchronous motor with optimum I-shape pole

2- FIELD COMPUTATION

The volume of the HLSM is enclosed in a 3-dimensional region as shown in figure (2). This is seen to extend 10 cm beyond the iron surface. The 3-dimensional region can be formulated in differential form in terms of scalar magnetic potential P as follows :- region does not contain a source

$$\frac{\partial^2 P}{\partial x^2} + \frac{\partial^2 P}{\partial y^2} + \frac{\partial^2 P}{\partial z^2} = 0 \quad \dots (1)$$

Considering filling up this region with a set of uniformly spaced nodes of spacing unit length. Figure (3) shows one cubic element from a large mesh containing 6 nodes. Each of six elements connected to any node is taken to have unit permeance (unless an iron boundary is less than 1 cm distance when the reluctance is proportionally less).

The network, which containing all nodes, is solved by representing it in a computer program and applying a technique known as successive over relaxation (S.O.R.) method [6]. Relaxation of a network consists of treating all nodes in sequence but one node at a time. Taking the example of figure [3], the node equation is simply based on kirchoff's current law:-

$$P_1 + P_2 + P_3 + P_4 + P_5 + P_6 - 6 P_0 = 0 \quad \dots (2)$$

If the left hand side of this equation is evaluated for an arbitrary choice of node potentials a quantity not equal to zero will most likely result. This is called a "residual" and is proportional to the total flux converging on the central node. For a satisfactory solution the residual at all nodes should, for successive iterations, be very small compared with the flux passing through any one element (they should ideally be zero). The node potentials are obtained when the computer program has achieved convergence to a highest residual of a magnitude less than 10^{-4} .

The computer results are hold in a large array of magnetostatic potentials in 3-dimensional specifying potential for pole pitch of HLSM at 1 cm intervals. This is the most suitable form for permanent file storage. It is possible by simple steps to compute the armature flux and the pole flux distribution from the magnetic potential and the permeance of elements of the mesh. Each branch of finite-difference mesh is associated with a flow quantity

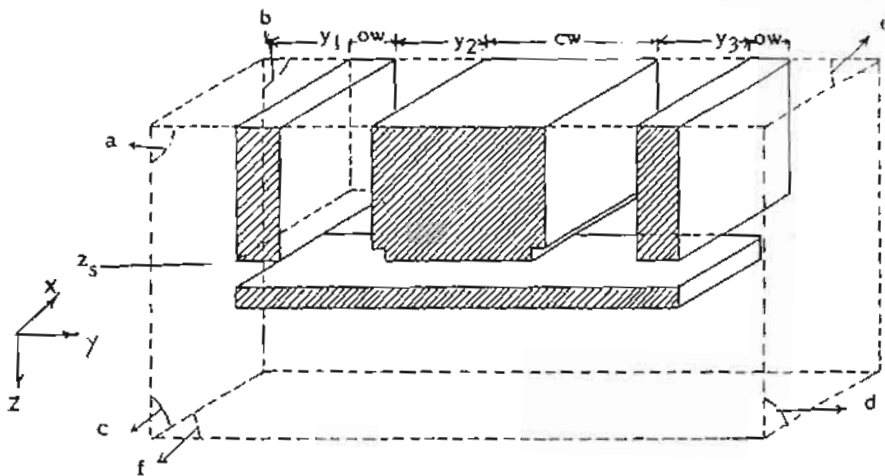


Figure 2 : 3-dimensions region for physical model and track-pole showing mesh boundaries definition

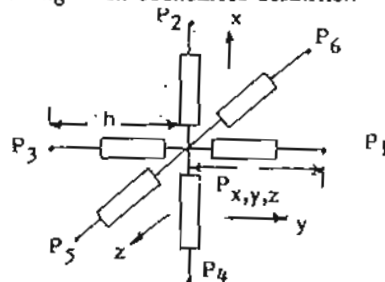


Figure 3 : Electrical analogue of a single node

carried between two points at either end of the branch. This is directly related to the flux in the magnetic field. The flow, equivalent to the flux, in each branch, is calculated from the potential difference across the branch

$$\text{i.e. branch flux } \phi = (\mu_0 h^2 / L) (P_1 - P_2) \quad \dots (3)$$

where L is the branch length, P_1 and P_2 are the branch potentials and $\mu_0 h^2 / L$ is the permeance (PM). The branches have possible directions, hence the fluxes are the individual flux components in 3-dimensions. The calculations are normalised for simplicity taking the basic mesh as one unit ($L = 1$) and working with a nominal excitation of 100 AT. The fluxes are calculated taking $\mu = 1$ and $h = 1$ to give normalised units as followings :-

Centre-core flux :

$$\phi_a = PM \left[\sum_{x=1}^{x=1+pp, y=y_2+cw} P(x, y, z_{s+1}) - P(x, y, z_s) \right] \quad \dots (4)$$

Left hand side outer-core flux :

$$\phi_L = PM \left[\sum_{x=1}^{x=1+pp, y=y_1+ow} P(x, y, z_{s+1}) - P(x, y, z_s) \right] \quad \dots (5)$$

Right hand side outer-core flux :

$$\phi_R = PM \left[\sum_{x=1}^{x=1+pp, y=y_3+ow} P(x, y, z_{s+1}) - P(x, y, z_s) \right] \quad \dots (6)$$

Leakage factor :

$$= \frac{\text{centre-core flux}}{(\text{outer-core flux})_{L.H.S.} + (\text{outer-core flux})_{R.H.S.}} \quad \dots (7)$$

where :-

- PM : permeance
- P : node potential
- cw : centre core width
- ow : outer core width
- z_s : surface of armature level
- pp : pole pitch

In case of HLSM a full pitch region is considered, and the interfaces with adjacent regions (a,b) are treated as zero permeability boundaries giving a "positive mirror image" field on the remote side of the boundary. The remaining boundaries (c,d,e,f) taking, for first solution, as zero permeability and for second solution as infinity permeability, then taken the averaging of both the first and second solutions [7]. The HLSM iron-core and track-pole are assumed to have infinite permeability and not to be saturated. Also the effect of open slots is neglected.

3- ADJUSTMENT OF TRACK-POLE POTENTIAL

The pole of the HLSM is a block of iron whose potential is not known at the start of the finite-difference solution. Its potential must be derived as the solution proceeds to converge, but an estimate of say 20 units may speed the initial calculations. For a single block of iron the derivation of the block potential is a simple extension of the relaxation process. The block is simply treated as a gaint node within the mesh and is relaxed in the following way.

The total flux entering the block is calculated by summing the contributions from 'n' nodes connected to the block. The result is the block residual R_B , see figure (4)

$$R_B = \sum_{r=1}^n (P_r - P_0) S_r \quad \dots (8)$$

where S_r is the permeance of the rth element. The amount of potential adjustment ΔP_0 required to reduce the block residual to zero is derived from the equation :-

$$\sum_{r=1}^n (P_r - (P_0 + \Delta P_0)) S_r = 0$$

$$\text{i.e. } \Delta P_0 = \frac{\sum_{r=1}^n (P_r - P_0) S_r}{\sum_{r=1}^n S_r} \quad \dots (9)$$

$$\Delta P_0 = R_B / S_B \quad \dots (10)$$

If all branches connected to the block have unit permeance the block residual is given by:-

$$R_B = \sum_{r=1}^n (P_r - P_0) \quad \dots (11)$$

and S_B , the characteristic permeance of the block, is given by :-

$$S_B = n \quad \dots (12)$$

- The block residual is not evaluated in a single stage as a node residual would be. Instead, for the nodes inside the block, the residual is calculated as if they were nodes in free space, but instead of being relaxed, the residual is added to a cumulative sum to form the block residual, R_B . This residual is used at the end of each set of iterations to calculate the block potential adjustment.

The value of R_B derived in this way would be slightly different to that derived by evaluated the flux contributions to the block at the end of individual iterations since node values next to the block are being relaxed one at a time and are therefore being changed while the block residual calculation is in progress.

The validity of the technique is, of course, not in question since the same conditions for convergence apply but the rate of convergence may be altered. It is possible to use an acceleration factor (relaxation factor) in changing the block potential and one is used to obtain the current solutions. By the above technique the potential of the block is readjusted and all nodes within it get to the new potential P_0 .

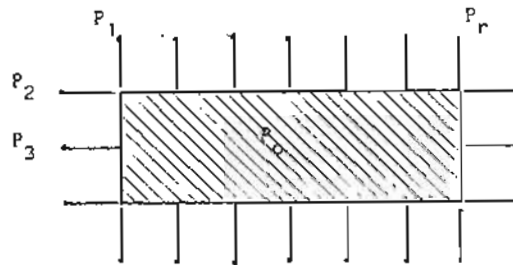


Figure 4 : Relaxation of a single block

4- DISCUSSION OF COMPUTED AND LABORATORY RESULTS

The computer program is used to study various track-pole shapes, using it to calculate additionally the flux per pole in the centre core, and treating this as a "goodness factor" for pole shape.

The following pole shapes are examined theoretically :

- (i) A variety of rectangular,
- (ii) TEE-shape (i.e. one-shoe pole),
- (iii) I-shape (i.e. double-shoe pole).

The length of the pole-shoe is chosen 1.5 pole-pitch and its width equal to outside core-width, to minimise the outer-gap reluctance.

The physical model is constructed from mild steel, and used the D.C. excitation coils only. The centre core is laminated with open slots. The air-gap is hold at 10 mm and the D.C. coils are excited with d.c. supply available. The armature flux is measured using a search coil and fluxmeter as shown in figure (5). The comparison between the computer predicted armature flux values with those measured on this physical model is shown in figure (6) with a variety of pole width. Also the leakage factor comparison is shown in figure (7). There are some remarkable points are arising from these figures:-

- (i) There is a difference between the predicted values of armature flux and that obtained by experimental measurements. This is due to the effects of open slots and the magnetic saturation in the iron core, which are neglected in the theoretical investigations.
- (ii) As the pole width increases the armature flux increases, then decreases when the pole width becomes greater than 0.7 of the pole pitch. This is due to more leakage flux from pole to pole. Therefore it is recommended that the ratio of the pole width to pole pitch may not greater than 0.7 .
- (iii) The optimum pole shape is the I-shape, because it allows the flow of more flux through the armature core by 20% greater than the rectangular shape (at 0.7 of the pole width to pole pitch ratio). This is due to minimising the outer air-gap reluctance.

5- CONCLUSIONS

The performance of HLSM is influenced by the air-gap reluctance which depends on the pole-shape geometry. Therefore, it is important during an early stage of design of such type of motors to optimise its pole shape. For this purpose, a theoretical study, applying the 3-dimensional finite-difference method (FDM) has been suggested, using the scalar magnetic potentials as the main field parameter. In this study the D.C. excitation has been only considered and the magnetic saturation is neglected. The study results in predicting the flux per pole in the centre core for different pole width ratios of each the following track pole

shapes : the rectangular-shape, T-shape and the I-shape. This flux is taken as a "goodness factor" during the choice of the best pole shape.

Laboratory measurements which are carried on the experimental model show, for good approximation, a reasonable agreement with the theoretical investigations. It can be concluded that the I-shape is the optimum one. It allows the flow of more flux through the armature core by 20% greater than the rectangular shape at 0.7 pole width ratio. This ratio is recommended in order to have minimum leakage flux.

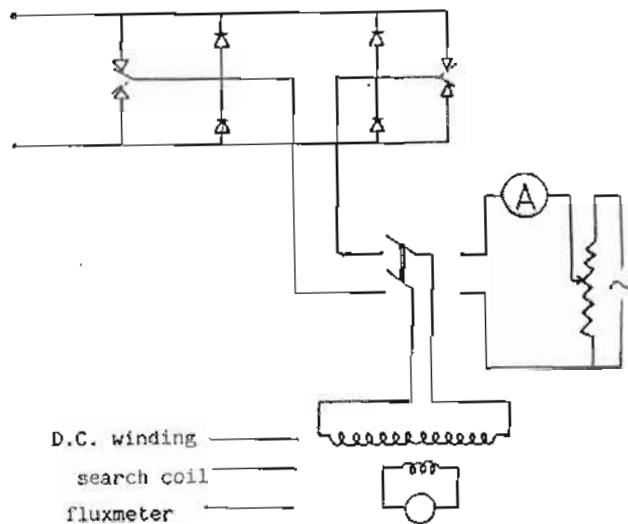


Figure 5 : Static flux measurement of armature flux using search coil and fluxmeter.

REFERENCES

- (1) Sylvester, P. "Modern electromagnetic fields" Prentic Hall 1968.
- (2) Vitkovitch, D. "Field analysis experimental and computation methods" Van Nostrand, 1966.
- (3) Binns, K.J. and Lawrenson, P.J. "Analysis and computation of electric and magnetic field problems" pergamon 1963.
- (4) Carpenter, C.J. "Finite-element network and their application to eddy current problems" Proc. IEE., 1975 Vol 122, p 455-462.
- (5) Rosenberg, D.U. "Methods for numerical solution of partial differential equation" Elsevier, New-York 1969 pp 20-67
- (6) Stoll, R.L. "Solution of linear steady-state eddy current problems by complex successive over relaxation" Procc. IEE., 1970 Vol 117,p 1317-1323.
- (7) EL-Drieny, S.A. "A heteropolar linear synchronous motor and levitator" Ph.D. thesis, 1981 Nottingham University, Nottingham, England.

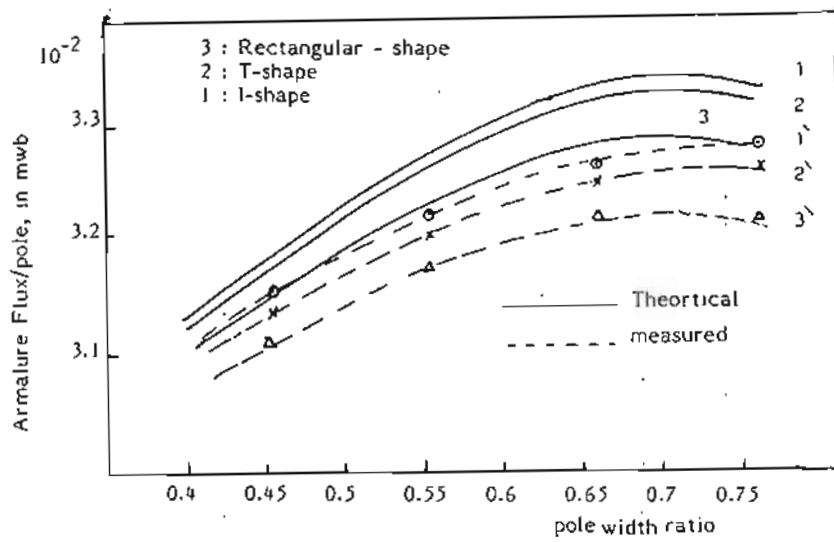


Figure 6 : Comparison between computed and measured armature flux per pole (for 100 AT, 10 mm air-gap and track depth 20 mm)

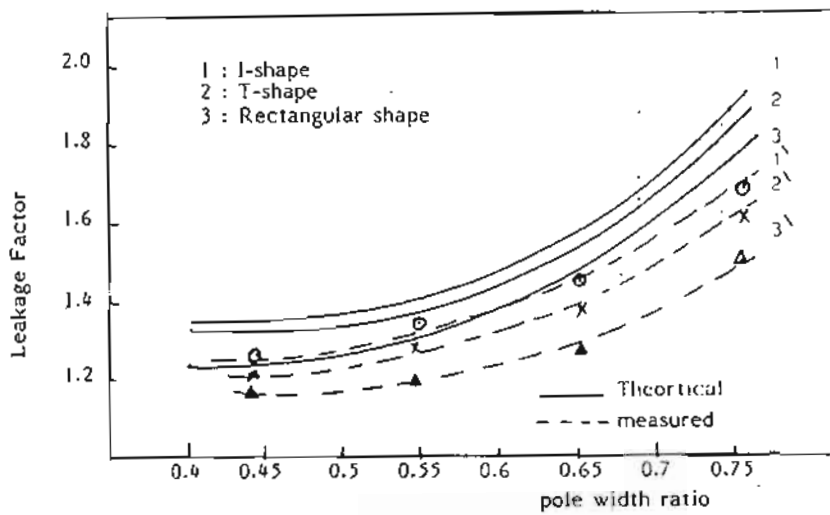


Figure 7 : Comparison between computed and measured leakage factor (for 100 AT, 10 mm air-gap and track depth 20 mm)