

5-29-2021

## Analysis of a Co-ordinate Governer/Exciter Stabilizer in Multimachine Power Systems based on the Transient Energy Function.

A. Atia

*Electrical Power Engineering Department., Faculty of Engineering., El-Mansoura University., Mansoura., Egypt.*

Follow this and additional works at: <https://mej.researchcommons.org/home>

---

### Recommended Citation

Atia, A. (2021) "Analysis of a Co-ordinate Governer/Exciter Stabilizer in Multimachine Power Systems based on the Transient Energy Function.," *Mansoura Engineering Journal*: Vol. 13 : Iss. 2 , Article 7. Available at: <https://doi.org/10.21608/bfemu.2021.173220>

This Original Study is brought to you for free and open access by Mansoura Engineering Journal. It has been accepted for inclusion in Mansoura Engineering Journal by an authorized editor of Mansoura Engineering Journal. For more information, please contact [mej@mans.edu.eg](mailto:mej@mans.edu.eg).

ANALYSIS OF A CO-ORDINATED GOVERNER/EXCITER STABILIZER IN MULTIMACHINE  
POWER SYSTEMS BASED ON THE TRANSIENT ENERGY FUNCTION

تحليل انتران نظام ثرى كهري متعدد الآلات باشارات اضافية فى دائرتى تنفيذية  
المحال ومنظم السرعة ومستنبطة على أساس دالة الطاقة

A.A. Atia

Electrical Engineering Dept., Faculty of Engineering  
Mansoura University, Mansoura, Egypt

الخلاصة - يقدم البحث تحليلا لدالة الطاقة العابرة فى نظام كهري متعدد الآلات . وباستخدام تحليل دالة الطاقة العابرة وبعض النظريات فى الميكانيكا النظرية تم استنباط دوال اشارات اضافية فى دائرتى تنفيذية المحال ومنظم السرعة وذلك لتحسين الاتزان الديناميكي لنظام كهري متعدد الآلات وبشرط أن يكون النظام متزنا ( اسميتوتك ) فى دورة النأرجح الأولى بعد حدوث الاضطرابات الكيرة . تم التأكد حسابيا من واعدية الاشارات الاضافية على انتران نظام كهري ( يكافئ شبكة مصر الموحدة ) مكون من ١٠ محطات مكافئة ، ١٩ نقطة توزيع حمل .

ABSTRACT

This paper describes, the application of transient energy function and some laws of theoretical mechanics necessary to the problem of analysing co-ordinated stabilizer in a multimachine power system. The co-ordinated stabilizing inputs for the exciter and governor loops to improve transient stability in the power system are defined. The different energies in the power system are analysed. If the power system is asymptotically stable in the first swing cycle, the rate of change of total transient energy must tend to zero. This constraint is accomplished by the proposed stabilizer. The stabilizer is designed on the base of balancing its forces with the necessary forces to damp swings of generator rotors.

The effectiveness of the proposed stabilizer is demonstrated by applying it to a generating station in a 10-generator and 19-bus power system, which represents the reduced Egyptian Unified Network.

INTRODUCTION

In modern power systems, improved transient stability is an important consideration in the reliable and efficient operation of the system. The practical approaches to transient stability control can be classified into two types of action:

- methods requiring change in the network
- methods altering the conventional operation of AVR and/or governor

All changes in the network require additional switchgear and timing equipment, which are somewhat expensive and complex.

The implementation of excitation and/or governor control, through a voltage regulator and a turbine governor, don't requires such equipment (switchgear and timing equipment.) The action of the conventional units, in improving stability, is enhanced by the use of carefully designed supplementary control.

The theory of conventional AVR, on transient stability [1,2] has been well established. Additional signals, other than terminal voltage feedback in the excitation system, have been proposed [3,4].

The use of additional signals in the turbine governor loop has also been studied [4]. A frequency response method [5] was used to examine the effect of the time-integral of speed deviation added to speed deviation.

Most of supplementary excitation control [6,7] and turbine control [6,7] in power systems, are derived on the base of a simple power system (generator connected to an infinite bus through transmission system). They may be effective in case of a power system only; otherwise, their effectiveness in multimachine power systems is not insured.

This paper proposes a design of a co-ordinated exciter/governor stabilizer. The design is based on the transient energy function and some laws of theoretical mechanics. Through analysis of the different energies in the power system, the total energy of the power system is deduced. For asymptotic stability of the system, the rate of change of the total energy must tend to zero. This constraint can be accomplished by the proposed stabilizer. The stabilizer is designed on the base of balancing its forces with the forces, necessary to damp swings of generators rotors. The paper describes theoretical aspects of the design procedure and application to multimachine power system.

#### ANALYSIS OF TRANSIENT ENERGY FUNCTION

An n-machine system is considered here, as shown in Fig. 1. The dynamics of each generator, without taking the damper winding into consideration, are represented by the following equations:

$$M_i \frac{d\omega_i}{dt} - (P_{Ti} - P_{ii}) + \sum_{j \neq i}^n P_{ij} \sin(\delta_{ij} - \alpha_{ij}) = 0 \quad (1)$$

$$d\delta_i/dt = \omega_i$$

where

$M_i$  = inertia constant of generator  $i$

$\delta_i$  = angle behind  $X_d$  of generator  $i$

$\omega_i$  = rotor speed of generator  $i$

$P_{Ti}$  = mechanical power input of generator  $i$

$P_{ii} = E_i \cdot E_i Y_{ii} \sin \alpha_{ii}$

$P_{ij} = E_i \cdot E_j Y_{ij}$

$E_i, E_j$  = voltages behind  $X_d$  of generator  $i$  and  $j$ . They are variables depending on a certain function, as discussed below.

$Y_{ii}$  = deriving point admittance for internal node of generator  $i$

$Y_{ij}$  = transfer admittance between internal nodes  $i$  and  $j$

The motion of the center of inertia reference frame, COI, is determined by [8]

$$M_e \frac{d\omega_e}{dt} - (P_{Te} - P_{Ee}) = 0 \quad (2)$$

where

$$M_e = \sum_{i=1}^n M_i$$

$$w_e = \frac{\sum_{i=1}^n M_i w_i}{\sum_{i=1}^n M_i}$$

$$P_{Te} = \sum_{i=1}^n P_{Ti}$$

$$P_{Ee} = \sum_{i=1}^n P_{ii} + \sum_{i=1}^n \sum_{j \neq i}^n P_{ij} \sin(\delta_{ij} - \alpha_{ij})$$

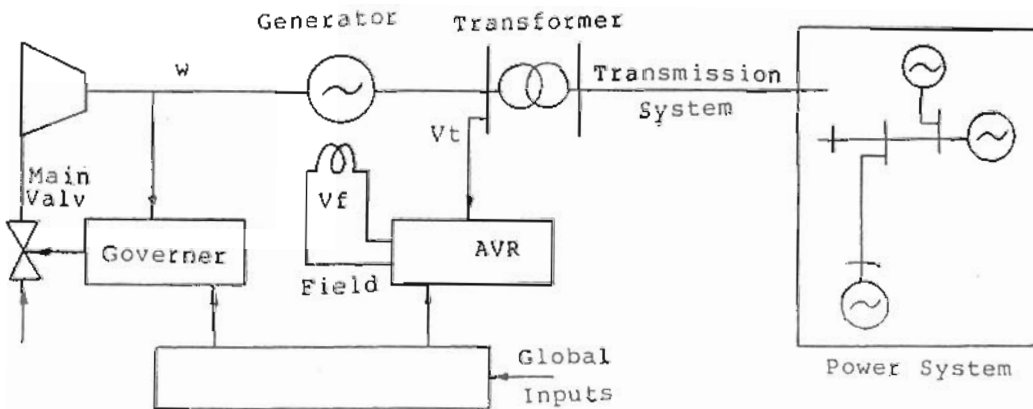


Fig.1 Basic System for Design Co-ordinated Stabilizer

Integrating eq.(1) with respect to rotor angle  $\delta_i$  and using as a lower limit  $\delta_i = \delta_{oi}$ , where  $\delta_{oi}$  is the initial position of rotor  $i$ , and summing for  $n$  equations, yields

$$\sum_{i=1}^n M_i (w_i - w_{oi})^2 / 2 - \sum_{i=1}^n \int_{\delta_{oi}}^{\delta_i} (P_{Ti} - P_{ii}) d\delta_i + \int_{\delta_{io}}^{\delta_i} \sum_{i=1}^n \sum_{j \neq i}^n P_{ij} \sin(\delta_{ij} - \alpha_{ij}) d\delta_i \quad (3)$$

The first term of eq.(3) is the system kinetic energy,  $V_K$ , with respect to the system initial position. The second and third terms represent the rotor potential energy and the energy stored in the power system, respectively. As known in the literature, the term "potential energy" is used to indicate the last two terms [8].

If the power network is represented by the so-called classical model [9], where the voltage behind  $X_d$  and mechanical input are constant and equal to the corresponding initial values ( $P_{Ti} = P_{Toi}$ ,  $E_i = E_{oi}$  and  $E_j = E_{oj}$ ), the potential energy function in eq.(3) becomes (with  $d\delta_i = w_i dt$ )

$$V_{Po} = - \int_{t_0}^t \sum_{i=1}^n (P_{Toi} - P_{oii}) \omega_i dt + \int_{t_0}^t \sum_{i=1}^n \sum_{j \neq i}^n P_{oij} \sin(\delta_{ij} - \alpha_{ij}) \omega_i dt \quad (4)$$

where

$$P_{oii} = E_{oi} Y_{ii} \sin \alpha_{ii}$$

$$P_{oij} = E_{oi} E_{oj} Y_{ij}$$

The kinetic energy,  $VK'$ , associated with all generators (internal kinetic energy) is the difference between the total kinetic energy of the power system,  $VK$ , and kinetic energy of the COI,  $VKe$  [10]

$$VK' = VK - VKe$$

$$= \sum_{i=1}^n M_i \omega_i^2 / 2 - M_e \omega_e^2 / 2$$

$$= \sum_{i=1}^n M_i \omega_{ie}^2 / 2 \quad (5)$$

where

$$\omega_{ie} = \omega_i - \omega_e$$

Integrating eq. (2) with respect to the COI angle  $\delta_e$ , using as a lower limit  $\delta_e = \delta_{e0}$ , where  $\delta_{e0}$  is the initial position of COI, yields

$$M_e (\omega_e - \omega_{e0})^2 / 2 - \sum_{i=1}^n \int_{\delta_{e0}}^{\delta_e} (P_{Ti} - P_{iie}) d\delta_e + \int_{\delta_{e0}}^{\delta_e} \sum_{i=1}^n \sum_{j \neq i}^n P_{ij} \sin(\delta_{ij} - \alpha_{ij}) d\delta_e = 0 \quad (6)$$

Equation (6) represents the total transient energy of COI. The first term is the COI kinetic energy,  $VKe$ , and the remaining terms represent the potential energy of COI,  $VPe$ .

For classical model, the potential energy function of COI in eq. (6) becomes

$$V_{Peo} = - \int_{t_0}^t \sum_{i=1}^n (P_{Toi} - P_{oii}) \omega_e dt + \int_{t_0}^t \sum_{i=1}^n \sum_{j \neq i}^n P_{oij} \sin(\delta_{ij} - \alpha_{ij}) \omega_e dt \quad (7)$$

Subtracting eq. (4) from eq. (3) and substituting by eq. (6) in the obtained equation, yields

$$\sum_{i=1}^n M_i (\omega_{ie} - \omega_{ie0})^2 / 2 - \int_{\delta_{ie0}}^{\delta_{ie}} \sum_{i=1}^n (P_{Ti} - P_{iie}) d\delta_{ie} + \int_{\delta_{ie0}}^{\delta_{ie}} \sum_{i=1}^n \sum_{j \neq i}^n P_{ij} \sin(\delta_{ij} - \alpha_{ij}) d\delta_{ie} \quad (8)$$

Equation (8) represents the total energy of rotors of the synchronous generators with respect to the COI. First term in eq. (8) is the kinetic energy,  $VK'$ , the other two terms are the potential energy,  $VP'$ .

For classical model of the power system, the potential energy in



eq. (8) becomes

$$V_{Po}' = - \int_{t_0}^t \sum_{i=1}^n (P_{Toi} - P_{oii}) \omega_{ie} dt + \int_{t_0}^t \sum_{i=1}^n \sum_{j \neq i}^n P_{oij} \sin(\delta_{ij} - \alpha_{ij}) \omega_{ie}$$

#### STABILIZER DEFINITION

Now, suppose that the disturbed power system is affected by the supplementary control and becomes dissipated system, i.e the following constraint is fulfilled

$$dV/dt < 0 \quad (10)$$

where

$$V = V_K + V_{Po}$$

For fulfilling constraint (10), i.e for damping rotor swings, the supplementary control action  $U_i(t)$  must be designed on the base of balancing its forces, which are necessary to damp rotor swings, with the forces equivalent to the friction forces. The energy  $V_F$ , corresponding to the friction forces can be defined as follows [10]

$$V_F = \int 2F dt ; \quad (11)$$

$$F = \sum_{i=1}^n K_i \omega_i^2 / 2 \quad (12)$$

where

$F$  =dissipating function, affected by the supplementary control  
 $K_i$ =generalized friction coefficient

The dissipating function  $F$  can be represented by summation of  $F'$  and  $F_e$  as follows

$$F = F' + F_e \quad (13)$$

where

$$F' = \sum_{i=1}^n K_i \omega_{ie}^2 / 2 \quad (14)$$

and

$$F_e = \sum_{i=1}^n K_i \omega_e^2 / 2 \quad (15)$$

$F'$  and  $F_e$  are the dissipation energy of rotors of system generators and dissipation energy of the COI respectively.

If the power system is controlled, the following equation must be governed

$$V + v_f = \text{const} \quad (16)$$

or

$$dV/dt = -2F \quad (17)$$

Equation (17) shows that the power system is dissipated only in the case of positive values of dissipating function  $F$ . Eq.(17) can be subdivided into the following two equations

$$dV'/dt = - 2F' \quad (18)$$

$$dVe/dt = - 2Fe \quad (19)$$

where

$$V' = VK' + VPo' \quad (20)$$

$$Ve = VKe + VPeo \quad (21)$$

Substituting values of  $V'$  and  $F'$  in eq.(18), yields

$$\sum_{i=1}^n [(PTi-PToi)-(Pii-Poii)]wie - \sum_{i=1}^n \sum_{j \neq i}^n (Pij-Poij) \sin(\delta_{ij}-\alpha_{ij})wie + \sum_{i=1}^n Ki wie^2 = 0 \quad (22)$$

Simillacly, substituting the values of  $Ve$  and  $Fe$  in eq.(18), yields

$$\sum_{i=1}^n [(PTi-PToi)-(Pii-Poii)]we - \sum_{i=1}^n \sum_{j \neq i}^n (Pij-Poij) \sin(\delta_{ij}-\alpha_{ij})we + \sum_{i=1}^n Ki we^2 = 0 \quad (23)$$

Equations (22) and (23) are not sufficient for determining supplementary controls applied on the excitation system ( $UEi(t)$ ) of all synchronous generators and supplementary controls applied on all turbine governors ( $UGi(t)$ ). However, this problem can be solved by assuming that the supplementary controls acting only on one turbine-generator unit (unit  $i$ ) and the remaining units of the power system are uncontrolled, i.e,  $Ej = Eoj = E'j = E'qj$  and  $PTj = Ptoj$ .

According to the above assumption, eq.(21) and eq.(22) can be used to formulate two equations for  $UEi(t)$  and  $UGi(t)$ , as follows

$$(PTi-PToi)-(Pii-Poii)-\sum_{j \neq i}^n (Pij-Poij) \sin(\delta_{ij}-\alpha_{ij})+Ki wie = 0 \quad (24)$$

$$(PTi-PToi)-(Pii-Poii)-\sum_{j \neq i}^n (Pij-Poij) \sin(\delta_{ij}-\alpha_{ij})+Ki we = 0 \quad (25)$$

Each of eq.(24) and eq.(25) can be used for determining the supplementary excitation (SE) control or supplementary governor (SG) control. However, the effectiveness of the SE control is increased, when used for damping rotor swings of generator  $i$  with respect to the COI.

Substituting  $U_{Gi}(t) = 0$  in eq.(24), yields

$$(P_{ii}-P_{oii}) + \sum_{j \neq i}^n (P_{ij}-P_{oij}) \sin(\delta_{ij}-\alpha_{ij}) = K_i w_{ie} \quad (26)$$

On the other hand, the effectiveness of SG control is increased when used for enhancing damping of oscillations, which occur in the power system as a whole, i.e control of system frequency deviation ( $\Delta f_{av}$ ) from its initial value ( $f_0$ ), where  $\Delta f_{av} = w_e/2\pi$ . Therefore, SG control is obtained from eq.(25), by substituting  $U_{Ei}(t) = 0$  :

$$(P_{Ti}-P_{Toi}) + K_i w_e = 0 \quad (27)$$

Assuming that the inertia of AVR is neglected. This assumption holds generally, if the electromagnetic inertia of rotor circuit is compensated by; for example, the rotor current as a negative feedback signal [11]. In this case, the forced component of synchronous generator emf ( $E_{qei}$ ) is determined by the following equation:

$$E_{qei} = (1-K_{ei}) E_{qeyi} - K_{ei} E_{qi} \quad (28)$$

where

$K_{ei}$  = acceleration coefficient

$E_{qeyi}$  = component of  $E_{qei}$ , which changes corresponding to the change of  $E_{qi}$

It is known that, the electromagnetic transient in rotor circuit of generator  $i$ , is described by

$$E_{qei} = E_{qi} + T_{doi} dE_{qi}'/dt \quad (29)$$

Substituting eq.(28) in eq.(29), yields

$$E_{qi} = E_{qeyi} + [T_{doi}/(1+K_{ei})] .dE_{qi}'/dt \quad (30)$$

If  $K_{ei}$  tends to infinity, the last term in eq.(30), consequently, tends to zero and eq.(30) becomes

$$E_{qi} = E_{qeyi} = E_{qoi} + U_{Ei}(t) \quad (31)$$

Substituting eq.(31) in eq.(26), yields

$$(U_{Ei}(t) + 2E_{qoi}) U_{Ei}(t) Y_{ii} \sin(\alpha_{ii}) + \sum_{j \neq i}^n U_{Ei}(t) E_{qoj} Y_{ij} \sin(\delta_{ij}-\alpha_{ij}) = K_i w_{ie} \quad (32)$$

For  $\alpha_{ii} = 0$  (in the case of long distance between generator  $i$  and the main load centre), the  $U_{Ei}(t)$  becomes

$$U_{Ei} = K_i w_{ie} / \sum_{j=1}^n E_{qoj} Y_{ij} \sin(\delta_{ij}-\alpha_{ij}) \quad (33)$$



If generator  $i$  at a long distance from the remaining generators  $j$  ( $j=1, \dots, n, i \neq j$ ), the power system can be considered as a generator  $i$  is interconnected, through transmission line with no nodes of power take-off, with equivalent bus of constant voltage ( $E_e$ ) behind equivalent reactance of  $X_e$ . Thus,

$$U_{Ei} = K_i w_{ie} / E_e Y_{ie} \sin(\delta_{ie} - \alpha_{ie}) \quad (34)$$

or

$$U_{Ei} = K_{wi} w_{ie} \sin(\delta_{ie} - \alpha_{ie}) \quad (35)$$

or

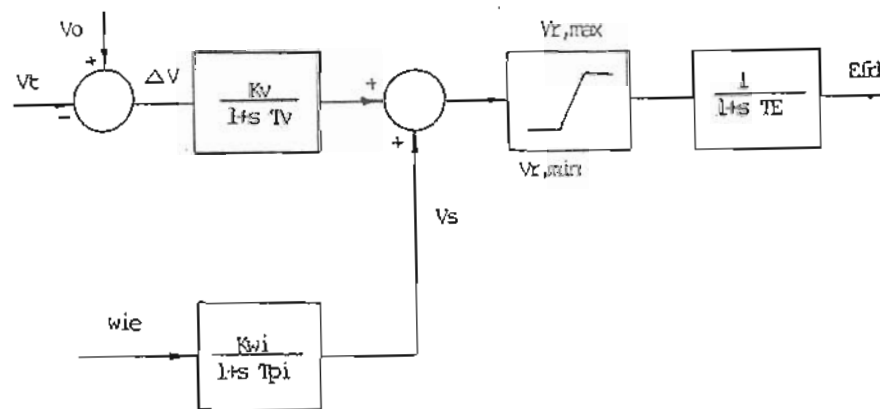
$$U_{Ei} = K_{wi} w_{ie} \quad (36)$$

Effectiveness of SE control of eq. (35) is increased with increasing the output of generator  $i$ . For heavy loads of generator  $i$ , the sign of  $\alpha_{ie}$  is unchanged.

Similarly, for obtaining SG control  $U_{Ti}(t)$ , the inertia of governor system is neglected. From eq. (27), the  $U_{Ti}(t)$  becomes

$$U_{Ti} = K_{Ti} w_e \quad (37)$$

Accordingly, a suggested schemes of excitation system with SE control and governor system with SG control are illustrated in Fig.1-a and Fig.1-b respectively.



- TE - Exciter time constant
- Tv - AVR time constant
- Kv - AVR gain
- Kwi - Gain of SE control loop
- Twi - Time constant of SE control loop

Fig.1-a Excitation System with AVR and SE Control

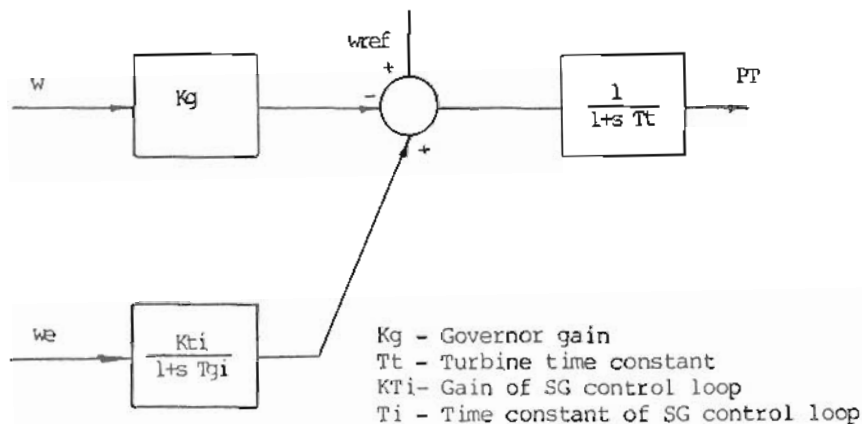


Fig.1-b Governor System with SG Control

## SIMULATION STUDIES

Simulation and validation studies are conducted on a 10-generator and 19-bus power system, representing the equivalent of Egyptian Unified Network. Fig.2 shows the outline configuration of the power system. In Fig.2, G1 supplies its power through a long transmission line, (900 km) to the main load center, which contains the remaining generators of the power system.

Results of load flow calculations of the system and consequently, the initial values of  $\delta_i$  and  $E_{qi}$  of generators are also indicated in Fig.2.

In order to demonstrate the stabilizing effect of the suggested scheme of SE and SG controls, a computer program is written for transient stability, which is based on the application of the step-by step method of solution [2]. The system non-linear responses are computed for a large disturbance. The disturbance is a three-phase fault occurring near bus 12 at the beginning of one of the two lines between buses 12 and 13. The fault is cleared in 0.2 second by opening the faulted line.

Figures 3 through 6 show the rotor angle ( $\delta_{ie}$ ) variations and the frequency deviations ( $\Delta f_{av}$ ), where

$$\delta_{ie} = \delta_i - \delta_e,$$

$$\delta_e = \frac{\sum_{i=1}^{10} \delta_i M_i}{\sum_{i=1}^{10} M_i}$$

and

$$\Delta f_{av} = \frac{1}{2\pi} \left( \frac{\sum_{i=1}^{10} w_i M_i}{\sum_{i=1}^{10} M_i} \right)$$

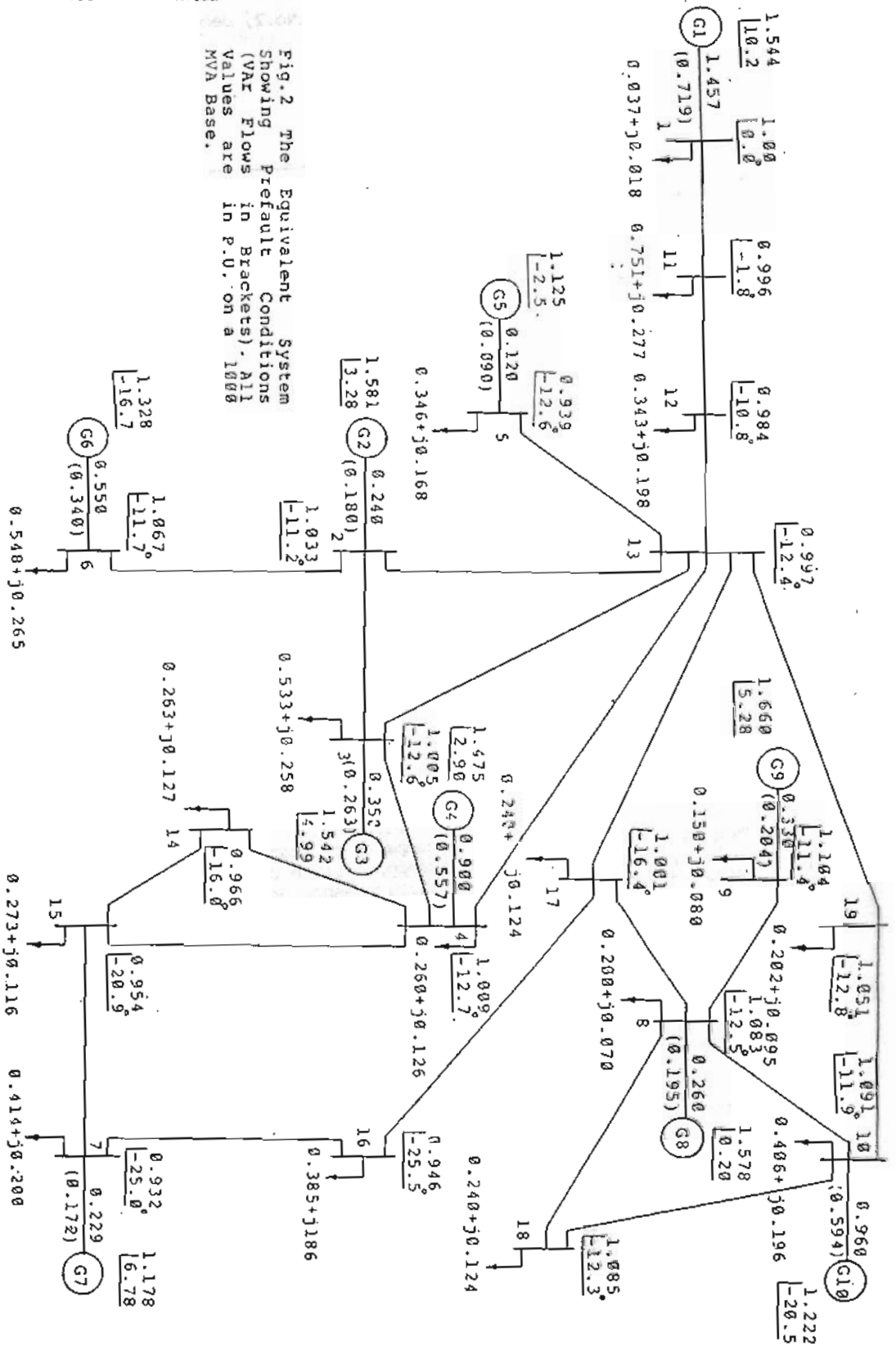


Fig. 2 The Equivalent System Showing Prefault Conditions (VAR Flows in Brackets). All Values are in P.U. on a 1000 MVA Base.

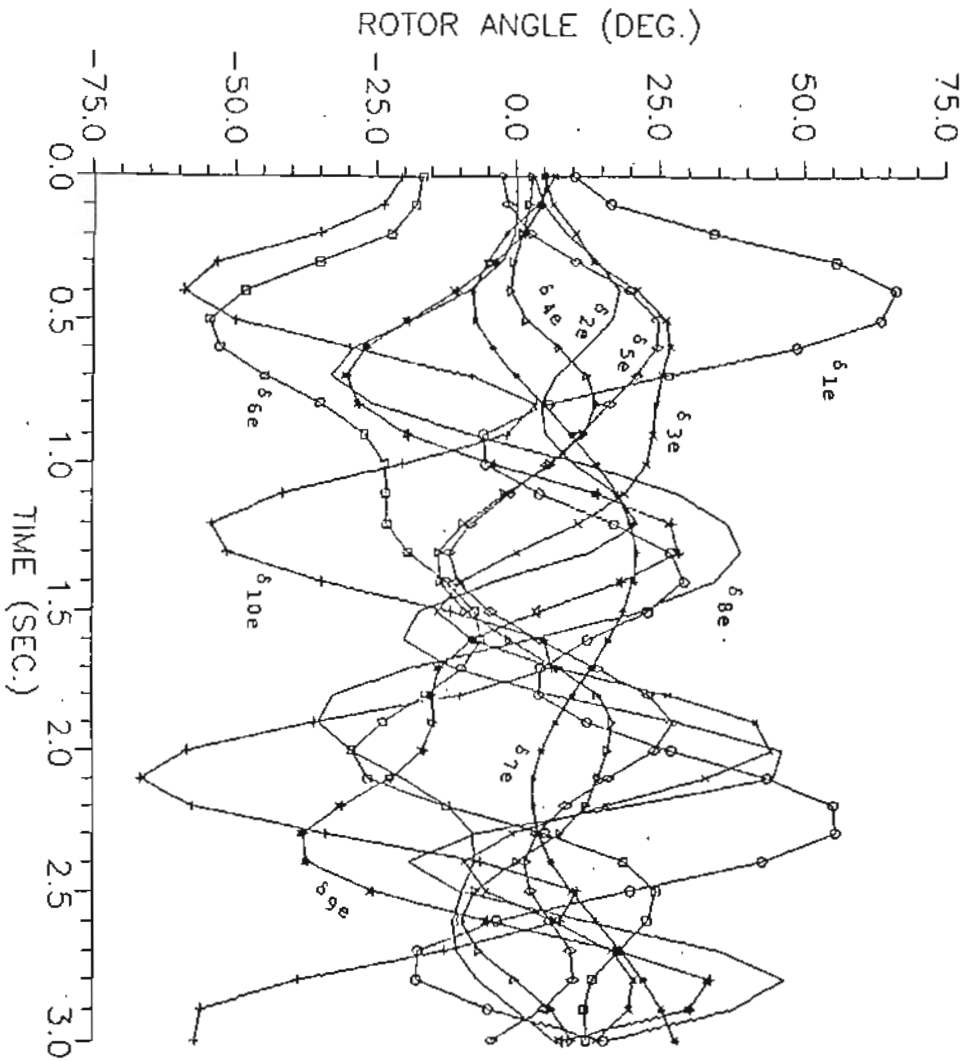


Fig.3 Swing Curves of the System Generators with AVR Control Only.

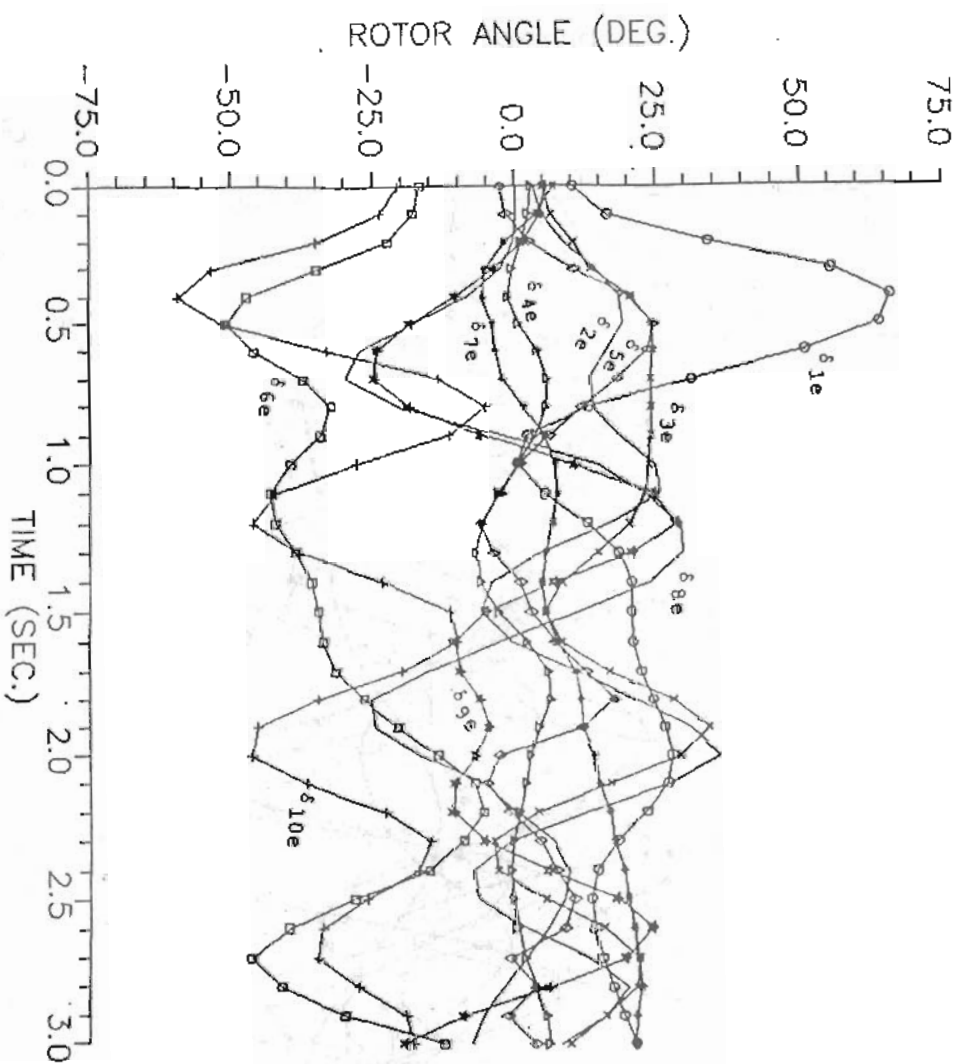


Fig. 4 Swing Curves of the System Generators with SE Control.



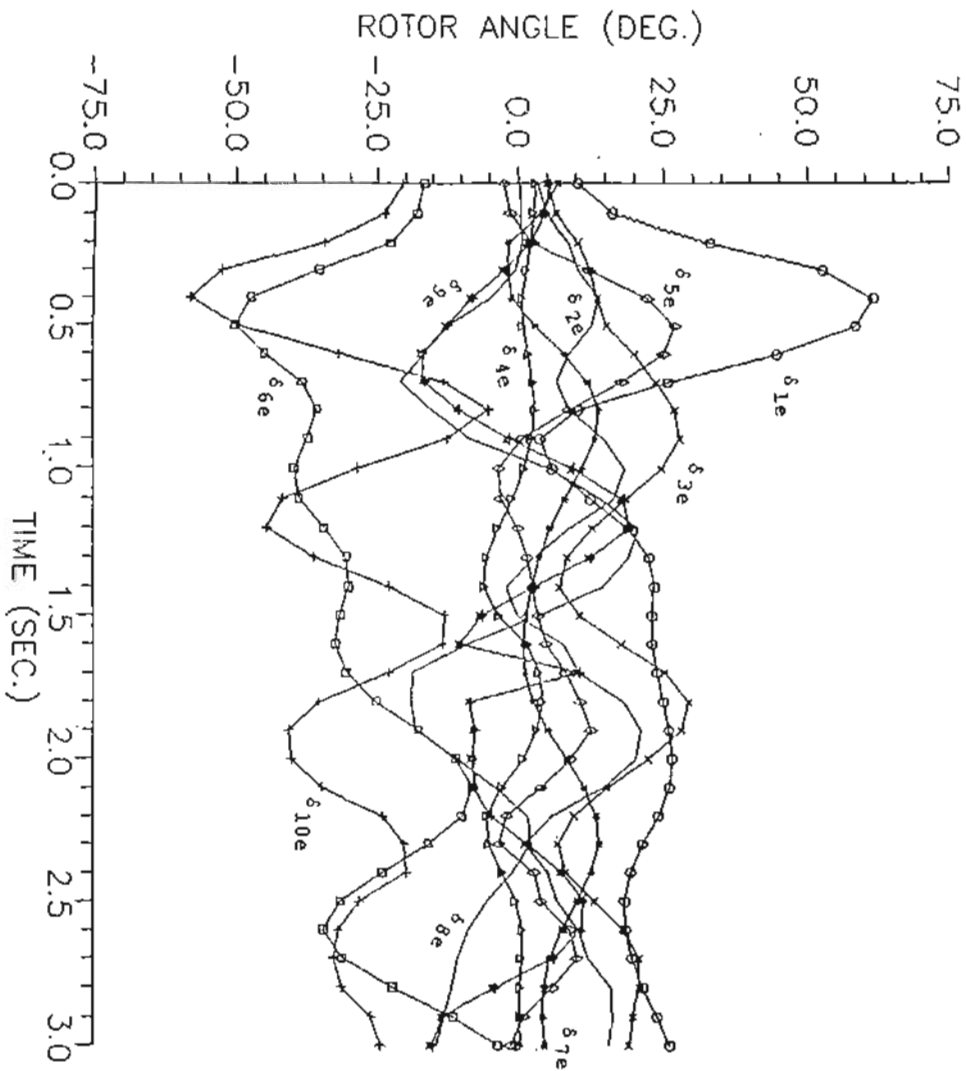


Fig.5 Swing Curves of the System Generator with SE plus SG Controls.

The responses plotted are with

- i) Conventional AVR control. Results are shown in Fig.3 and Fig.6-a. It can be seen that the system is stable but the transient response is poor.
- ii) Stabilizing control in the excitation system only. The response of the system is investigated by applying the supplementary excitation controls (eq.36), which are superimposed on the AVR for all synchronous generators of the system. Fig.4 and Fig.6-b show that the excitation control alone is effective in damping out the transients.
- iii) A combination of stabilizing controls in the excitation system and governor system. A combination of SE and SG controls as given in eq.36 and eq.37 provided the best transient performance as shown in Fig.5 and Fig.6-c.

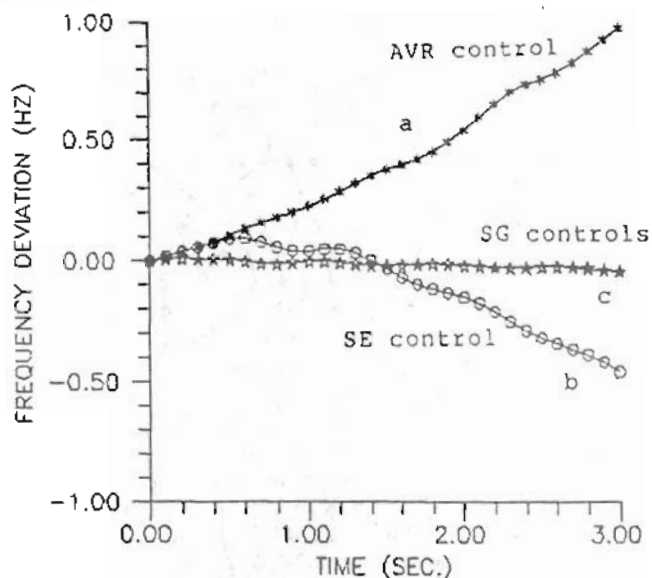


Fig.6 The frequency Deviations in Power System.

#### CONCLUSIONS

This paper demonstrated the application of a transient energy function and some laws of theoretical mechanics necessary to define the co-ordinated governor/exciter stabilizer in multimachine power system. The basic idea is balancing the stabilizer forces with the forces, which are necessary to damp rotor swings. investigations show that the excitation control is effective in improving the transient performance of a multimachine power system. Moreover, when the excitation control as well as governor control are applied, the best transient response is obtained.

## REFERENCES

- [1] P.L. Dandeno, A.N. Karas, K.R. McClymont and W. Watson, "Effect of High Speed Rectifier Excitation Systems on Generator Stability Limits", IEEE Trans., PAS-87, 1968, pp.190-201.
- [2] V. Venikov, Transient Processes in Electrical Power Systems, Mir Publishers, Moscow, 1980.
- [3] F.P. DeMello and C. Concordia, "Concepts of Synchronous Machine Stability as Affected by Excitation Control", IEEE Trans., Vol. PAS-88, No 4, 1969, pp.316-329.
- [4] J.L. Dineley and P.J. Fenwick, "The Effects of Prime-Mover and Excitation Control on the Stability of Large Steam Turbine Generators", IEEE Trans., Vol. PAS-93, Sept./Oct. 1974, pp.1613-1623.
- [5] H.E. Coles, "Effects of Prime-Mover Governing and Voltage Regulation on Turbalternators Performance", Proc.IEE, Vol.112, 1965, pp.1395-1405.
- [6] Y.N. Yu, Electric Power System Dynamics, Academic Press, N.Y, 1983.
- [7] A.N. Berga and B.A. Vinekov, Problems of Research and Control in Large Scale Power Systems, Vol. No 8, Energia, Moscow, 1977. (in Russian)
- [8] A.A. Fouad and S.E. Stanton, "Transient Stability of a Multimachine Power System", IEEE Trans., Vol. PAS-100, No 7, 1981, pp.3408-3415.
- [9] P.M. Anderson and A.A. Fouad, Power System Control and Stability, Ames, Iowa: Iowa State University Press. 1977.
- [10] B.M. Yvarski and A.A. Deltav, Hand-Book in Physics for Engineers, Naoyka, Moscow, 1964. (in Russian)